

Technical characteristics **see opposite**

Pack	Cat.Nos	Changeover switches	
		Conform to IEC 60669-1 Nominal rating 32 A Compatible with fluorescent lamps (20 AX)	
		Two-way - 250 V~	
10	0 043 82 available up to April 2015 / 4 129 00 available from April 2015	Connection: Number of modules: 1	
5	0 043 83 available up to April 2015 / 4 129 01 available from April 2015	Double two-way - 400 V~ Connection: Number of modules: 2	
10	0 043 85 available up to April 2015 / 4 129 02 available from April 2015	Two way with centre point - 250 V~ Connection: Number of modules: 1	
5	0 043 86 available up to April 2015 / 4 129 03 available from April 2015	Double two way with centre point - 250 V~ Connection: Number of modules: 2	
10	0 043 88 available up to April 2015 / 4 129 04 available from April 2015	Switch NO + NC - 250 V~ Connection: Number of modules: 1	

Pack	Cat.Nos	Push-buttons and control switches	
		Conform to IEC 60669-1 Nominal rating 20 A - 250 V~ Compatible with florescent lamps (20 AX) Accept prong-type supply busbars	
		Single function push-buttons	
10	0 044 53 available up to April 2015 / 4 129 08 available from April 2015	1 NO Connection: Number of modules: 1	
10	0 044 54 available up to April 2015 / 4 129 09 available from April 2015	1 NC Connection: Number of modules: 1	
10	0 044 68 available up to April 2015 / 4 129 16 available from April 2015	Dual functions push-buttons without indicator 1 NO (green push-button) + 1 NC (red push-button) Connection: Number of modules: 1	
10	0 044 55 available up to April 2015 / 4 129 10 available from April 2015	Single function control switches 2 NO Connection: Number of modules: 1	
10	0 044 58 available up to April 2015 / 4 129 11 available from April 2015	1 NO + NC Connection: Number of modules: 1	

Pack	Cat.Nos	Push-buttons and control switches (continued)	
		Dual functions control switches with indicator	
10	- available up to April 2015 / 4 129 12 available from April 2015	1 NO + green LED indicator 12/48 V~/=	Connection: Number of modules: 1
10	- available up to April 2015 / 4 129 13 available from April 2015	1 NC + red LED indicator 12/48 V~/=	Connection: Number of modules: 1
10	0 044 63 available up to April 2015 / 4 129 14 available from April 2015	1 NO + green LED indicator 110/400 V~	Connection: Number of modules: 1
10	0 044 64 available up to April 2015 / 4 129 15 available from April 2015	1 NC + red LED indicator 110/400 V~	Connection: Number of modules: 1

Pack	Cat.Nos	LED indicators	
		Equipped with non replaceable LED lamps LED life: 100 000 h LED consumption: 0.17 W under 230 V~/ 0.11 W under 24 V~ Conform to IEC 60947-5-1 Accept prong-type supply busbars	
		Single - 12/48 V~/=	
10	- available up to April 2015 / 4 129 21 available from April 2015	● Green	Connection: Number of modules: 1
10	- available up to April 2015 / 4 129 22 available from April 2015	● Red	1
10	- available up to April 2015 / 4 129 23 available from April 2015	● Yellow	1
10	- available up to April 2015 / 4 129 24 available from April 2015	● Blue	1
10	- available up to April 2015 / 4 129 25 available from April 2015	○ White	1
10	0 044 83 available up to April 2015 / 4 129 26 available from April 2015	● Green	1
10	0 044 84 available up to April 2015 / 4 129 27 available from April 2015	● Red	1
10	0 044 85 available up to April 2015 / 4 129 28 available from April 2015	● Yellow	1
10	0 044 86 available up to April 2015 / 4 129 29 available from April 2015	● Blue	1
10	0 044 87 available up to April 2015 / 4 129 30 available from April 2015	○ White	1
10	0 044 88 available up to April 2015 / 4 129 31 available from April 2015	●● Green/Red	Connection: Number of modules: 1
		Single - 110/400 V~	
10	0 044 83 available up to April 2015 / 4 129 26 available from April 2015	● Green	1
10	0 044 84 available up to April 2015 / 4 129 27 available from April 2015	● Red	1
10	0 044 85 available up to April 2015 / 4 129 28 available from April 2015	● Yellow	1
10	0 044 86 available up to April 2015 / 4 129 29 available from April 2015	● Blue	1
10	0 044 87 available up to April 2015 / 4 129 30 available from April 2015	○ White	1
10	0 044 88 available up to April 2015 / 4 129 31 available from April 2015	●● Green/Red	1
		Double - 110/400 V~	
2 10	0 031 43 available up to April 2015 / 4 129 32 available from April 2015	○ ○ ○ White	1
10	- available up to April 2015 / 4 129 33 available from April 2015	● ● ● Red	1
10	- available up to April 2015 / 4 129 34 available from April 2015	● ● ● Red/Yellow/Green	1
10	- available up to April 2015 / 4 129 35 available from April 2015	● ● ● Red/Yellow/Blue	1

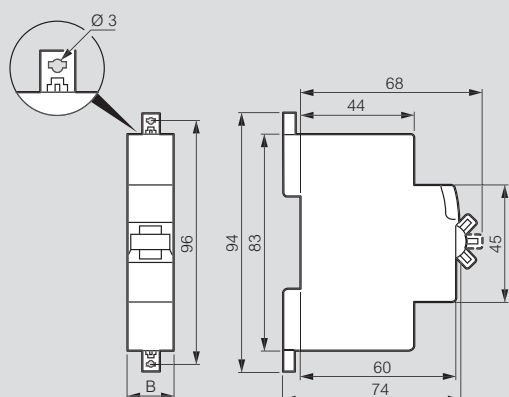
Pack	Cat.Nos	TX ³ LED indicators - 250 V~	
		Equipped with non replaceable LED lamps	
		Single	
12	6 040 77	● Green	Connection: Number of modules: 1
12	6 040 78	● Red	1
12	6 040 79	● Orange	1

CX³ changeover switches, push-buttons, control switches and LED indicators

technical characteristics

■ Dimensions

Changeover switches



Cat.Nos	B
4 129 00/02/04	17,7
4 129 01/03	35,6

■ Technical characteristics

Changeover switches

Power dissipation per pole : 1.5 W
 Overvoltage category : 4 kV \sim
 Dielectric withstand : 2 kV \sim
 Degree of pollution : 2

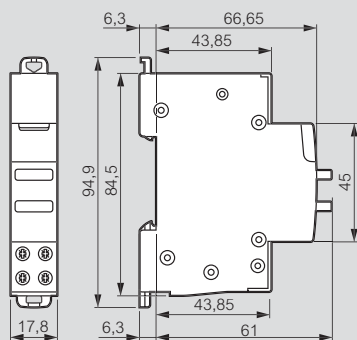
Push-buttons and control switches

Electrical endurance : 30 000 cycles AC12
 ($\cos \varphi = 0,9$) IEC 60947-5-1
 Electrical endurance under fluorescent loads : 30 000 cycles according to IEC 60669-1

LED indicators

Equipped with non replaceable LED lamps
 LED life : 100 000 h.
 LED consumption :
 - 0.17 W under 230 V \sim
 - 0.11 W under 24 V \sim

Push-buttons and control switches



LED indicators

